

House Service Cut Out

Single Pole Combined Neutral Earth (CNE) : 60 / 80A rated, 100A rated

Overview

Devices accepting BS 1361 cylindrical cartridge fuses having combined Neutral and Earth blocks generally fitted at the origin of the installation



Shown with optional cable cover

Features

- Two incoming and outgoing Phase and Neutral terminations which accept up to 35mm² conductors in either copper or aluminium, stranded or solid
- Silver plated Phase terminal contact block
- Serrated bores on Phase/Neutral terminal contact blocks with two M8 3mm hexagon drive screws per conductor
- Earth / Timer connections on N/E block accept up to 25mm² conductors
- Safety interlocked mouldings. N/E cover moulding cannot be removed until fuse carrier has been withdrawn
- Sealing wire facility
- Blanking plugs for unused cable entries provided
- Reversible mounting
- Accessories available include cable cover, cable chamber and busbar extensions

Note: The equipment described in this data sheet must be installed by suitably qualified personnel according to applicable Local / National Wiring regulations currently in force.

Construction

- Body, base and cover.....Glass reinforced polyester DMC in RAL 7035 colour
- Terminal blocks.... Brass (silver plated on Phase)
- Fuse link contacts.....Hard drawn high conductivity copper, unplated

Fuse characteristics

- 60/80A57 x 22mm Type IIa BS1361
- 100A57 x 30mm Type IIb BS1361

Note:Different combinations of fuse cut outs can be ganged to create a range of Triple pole variants with corresponding accessories

Performance

- Rated voltage..... 240/415V a.c.
- Max rated current.....100A
- Supply frequency..... 50-60Hz
- Flammability rating...UL 94 VO, self extinguishing 30 seconds at 960° C
- Recommended terminal torque.....3.25Nm
- Fuse short circuit rating.....33kA at 0.3pf

Conformity to Standards

- Conforms to BS 7657:1993
- Accepts fuse links in accordance with BS1361:1991

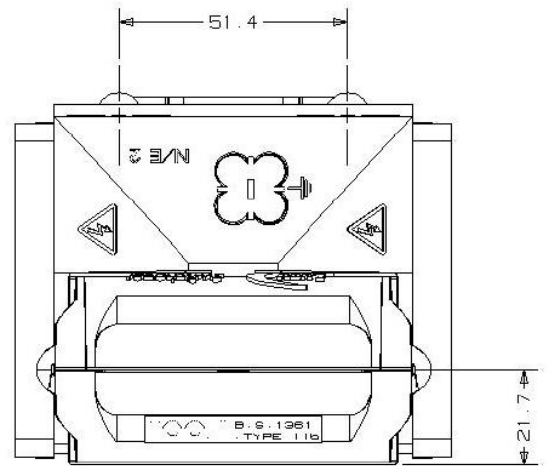
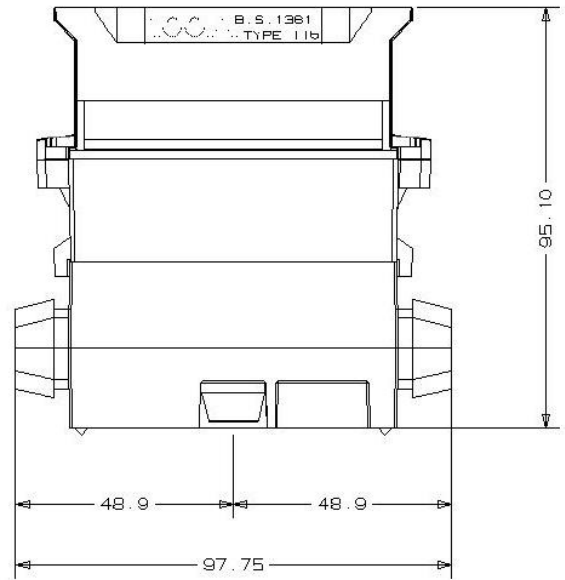
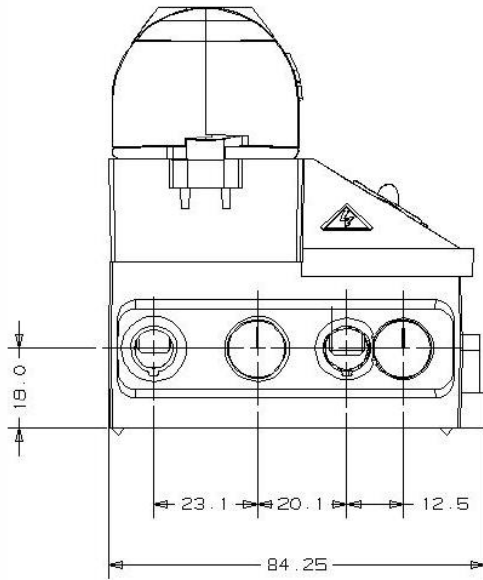
Dimensions

- Height.....98mm
- Width.....85mm
- Depth.....96mm

Weight

- Weight (excluding fuse).....0.73kgs

General arrangement diagram
(dims in mm)



Disclaimer: Lucy Electric has a policy of continuous research and development thus accordingly reserves the right to change the design and specifications of its products without prior notice or liability.

www.lucyelectric.com