

House Service Cut Outs

Single Pole Combined Neutral Earth (CNE)

Close coupled: 60 / 80A, 100A rated

Overview and Presentation

Devices accepting BS 1361 cylindrical cartridge fuses having combined Neutral and Earth blocks generally fitted at the origin of the installation and interfacing directly with the meter ports to prevent unauthorized tampering.



Shown with optional cable cover

Features

- Pre-cut Phase/Neutral meter links supplied
- Two incoming and outgoing Phase and Neutral terminations which accept up to 35mm² conductors in either copper or aluminium, stranded or solid
- Silver plated Phase terminal contact block
- Serrated bores on Phase/Neutral terminal contact blocks with two M8 hexagon drive screws per conductor
- Earth / Timer connections on N/E block accept up to 25mm² conductors
- Safety interlocked mouldings. N/E cover moulding cannot be removed until fuse carrier has been withdrawn
- Sealing wire facility
- Blanking plugs for unused cable entries provided
- Accessories available include cable cover, cable chamber and busbar extensions

Note: The equipment described on this data sheet must be installed by suitably qualified personnel according to applicable Local / National Wiring regulations currently in force.

Low Voltage - Cut Outs

Construction

- Body, base and cover.....Glass reinforced polyester DMC in RAL 7035 colour
- Terminal blocks..... Brass (silver plated on Phase)

Fuse characteristics

- 60/80A 57 x 22mm Type IIa BS 1361
- 100A 57 x 30mm Type IIb BS 1361

Note: Different combinations of fuse cut outs can be ganged to create a range of Triple pole variants with corresponding accessories.

Performance

- Rated voltage..... 240/415V a.c.
- Max rated current..... 100A
- Supply frequency..... 50-60Hz
- Flammability rating..... UL VO, self extinguishing 30 seconds at 960 degrees C
- Recommended terminal torque.....3.25Nm
- Fuse short circuit rating.....33kA at 0.3pf

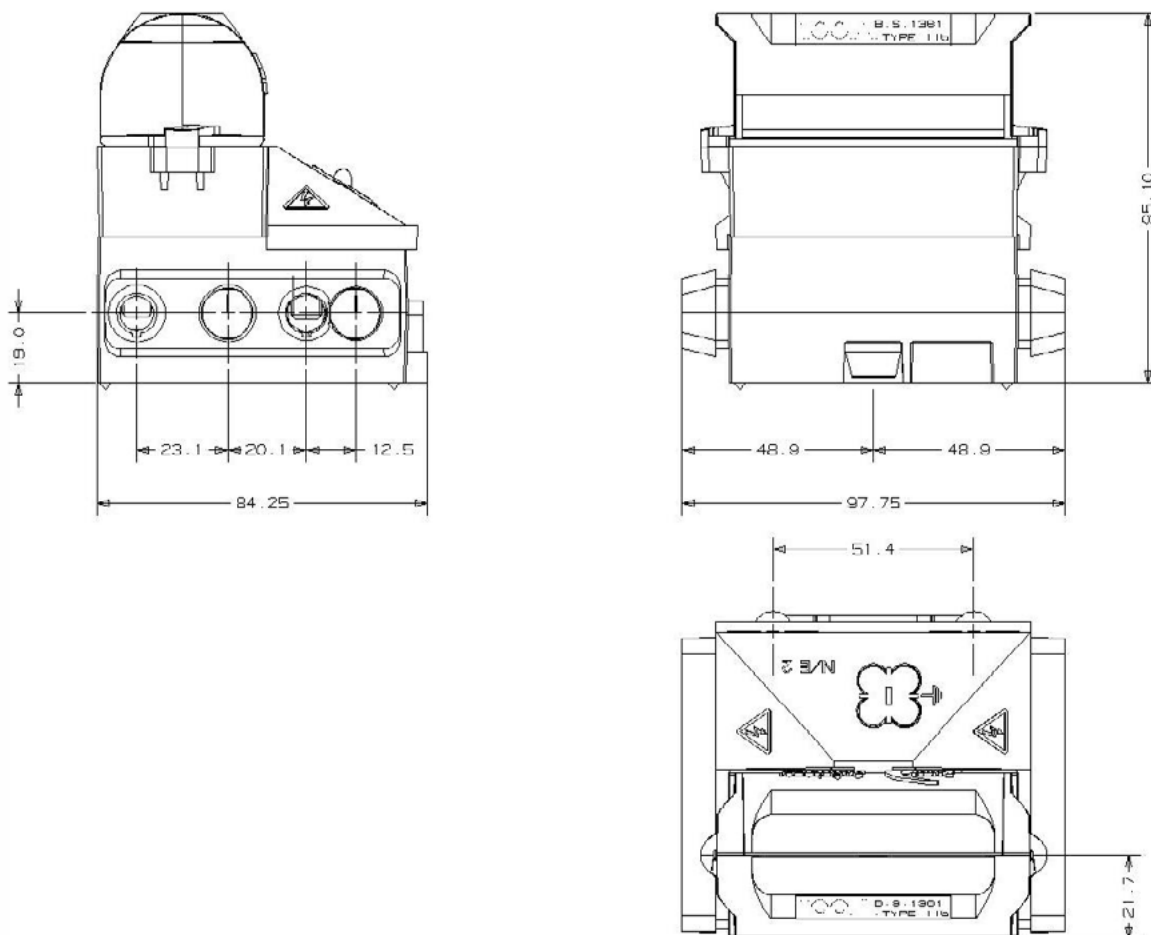
Conformity to Standards

- Conforms to BS 7657:2010
- Accepts fuse links in accordance with BS 1361:1991

Weights and dimensions

- Height115mm
- Width85mm
- Depth96mm
- Weight (excluding fuse).....0.73kgs

General arrangement and dimensions (mm)



Disclaimer: Lucy Electric has a policy of continuous research and development thus accordingly reserves the right to change the design and specifications of its products without prior notice or liability.



www.lucyelectric.com